

Industrial ironers

IC43316, IC43320



Features and benefits

- Easy to use control panel
- Ergonomic working height
- Finger guard protection providing additional security for operators
- Pressure roll with a Nomex® padding for a good ironing quality
- Durable ironing belts made of Nomex® which can withstand temperatures above 430°F
- Stainless steel cylinder prevents rust and improves lifetime
- **Maintenance free ceramic gas burner** minimizes downtimes. 20% more efficient than regular blue flame burners. A unique and patented burner by Electrolux
- Return feed, can be installed close to a wall for space saving
- Foldable feeding tray so that large flats avoid touching the ground

Main options

- Nickel-plated cylinder for better production on cotton items

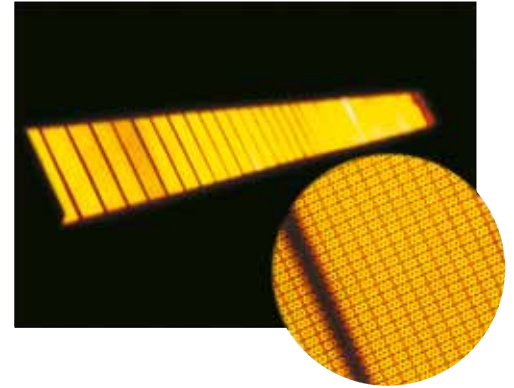
Main specifications			IC43316	IC43320
Capacity, max. water evaporation*		gallon/h	5.2	6.5
Cylinder	diameter	mm/inch	325 / 12 13/16	325 / 12 13/16
	length	mm/inch	1650 / 65	2065 / 81 3/8
Ironing speed		ft/min	1.65-18	1.65-18
Heating	gas	Btu/h (kW)	68240 (20)	85330 (25)

*50% residual moisture content cotton 190 gr/m² and 100% cylinder use (ISO 9398)

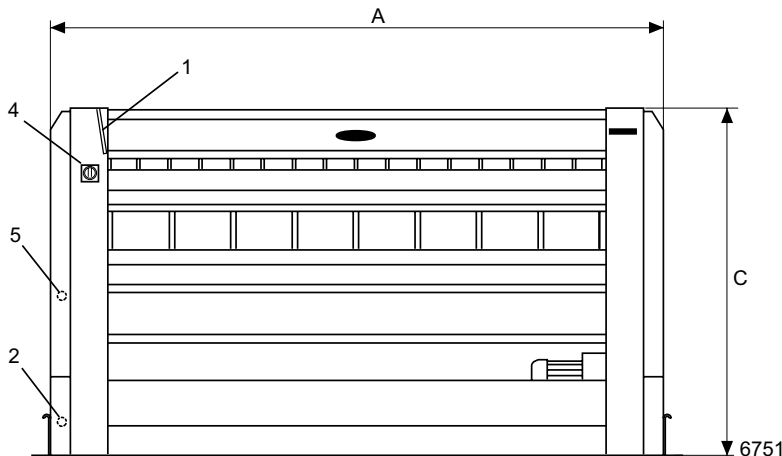
Certified in accordance with UL/ETL standards.

Electrical connections*			IC43316	IC43320
Heating	Voltage			
Gas	120V 1AC 60 Hz	kW(A)	0.5 (15)	0.5 (15)
	208-240V 1AC 60 Hz	kW(A)	0.5 (15)	0.5 (15)
	208-240V 3AC 60 Hz	kW(A)	0.5 (15)	0.5 (15)
Gas and exhaust connections				
Gas		inch	3/4	3/4
Exhaust	outlet diameter	mm/inch	125 / 4 15/16	125 / 4 15/16
	evacuated air	ft ³ /h	15044	18185
Sound levels				
Airborne sound level		dB(A)	65	65
Heat emission				
% of installed power, max			2	2
Weight				
		net, kg/lbs	300/661	330/728
		crated, kg/lbs	445/981	480/1058
		boxed, kg/lbs	475/1047	520/1146
Shipping volume		m ³ /ft ³	2.7/95.3	3.2/113
Dimensions in mm / inch				
A	Width		2030 / 80	2445 / 96 1/4
B	Depth		690 / 27 1/4	690 / 27 1/4
C	Height		1145 / 45	1145 / 45
D	Gas connection height		430 / 17	430 / 17
1	Control panel		4	Main switch
2	Electrical connection		5	Gas connection
3	Exhaust connection			

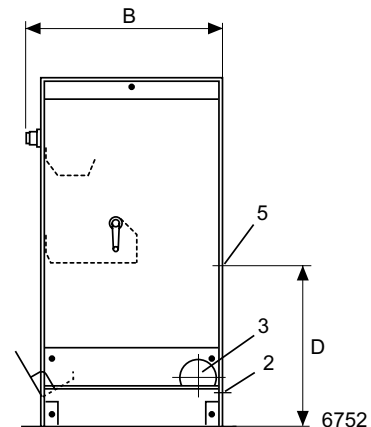
* Other voltages available, see installation manual.



Maintenance free ceramic gas burner minimizes downtimes. 20% more efficient than regular blue flame burners. A unique and patented burner by Electrolux



Front view



Right side view