



Thinking of you
Electrolux

PROFESSIONAL LAUNDRY

Super "S" 200G Washer

W5250S – 62 lb

Features and benefits

- **Compass Pro® microprocessor offers:**
 - Large display and one control knob for easy program selection
 - Language selection
 - Real time clock for time of day pricing
 - Quick selection and option buttons for the most frequently used wash programs and options
- **AWS – Automatic Water Savings:**
 - Save up to 30% on water with AWS – automatically. With every wash cycle, AWS determines the actual weight of the load and adds precisely the right amount of water, significantly reducing water consumption and energy costs
- Extremely low water and energy consumption
- Four compartment detergent box for manual dosing of powder or liquid detergent
- High extraction force for efficient de-watering
- Door with gasket and strong hinges built for heavy duty operation
- Stainless and galvanized steel in all vital parts for high degree of rust protection
- SuperBalance guarantees the correct extraction force
- Sanitizing Rinse for greater customer satisfaction
- Single phase electrical for easy installation & lower costs

Main options

- Automatic liquid detergent supply (optional I/O board)
- Stainless steel front panel
- Unique text messaging option
- Voice guidance option



Coin, card ready, & OPL models available.

Images shown are a representation of the product only and variations may occur.

Main specifications				W5250S			
Max. capacity	filling factor 1:9	kg/lb		28/62			
Drum, volume		litre/ft ³		250/8.8			
	diameter	ø mm/inch		725 / 28 9/16			
Extraction		rpm		702			
G-factor				200			
Standard heating alternatives	electricity	kW		-			
	steam			x			
	non-heated			x			
Modified energy factor****				2.03			
Water factor****				6.1			
Consumption data 6S03/6L33				EI		Steam***	
"Warm" *				Full load, 28 kg / 62 lb	Half load**, 14 kg / 31 lb	Full load, 28 kg / 62 lb	Half load**, 14 kg / 31 lb
Total time		min		28.5	26.5	28.5	26.5
Water consumption (cold+hot)		litre/gallon		206/54 + 16/4	89/24 + 7/2	206/54 + 16/4	89/24 + 7/2
Energy consumption (motor/heating/hot water)		kWh		0.25/2.2/1	0.20/1.05/0.45	0.25/-	0.20/-
Steam consumption		kg/lbs		-	-	4.8/10.6	2.3/5.1
Residual moisture		%		61	68	61	68

* Water temperature 59°F cold water and 149°F hot water.

** Programs with AWS.

*** Depending on steam pressure.

**** The figures are based on theoretical calculations and not lab tests, with AWS program.

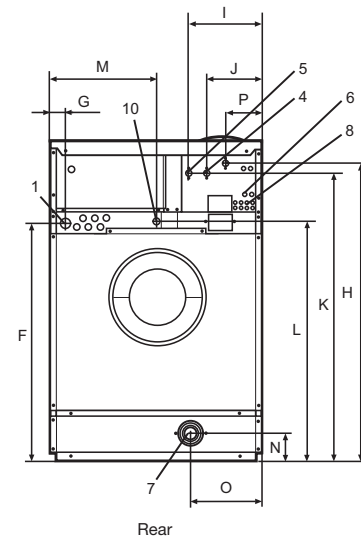
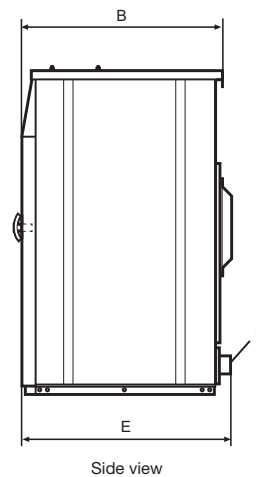
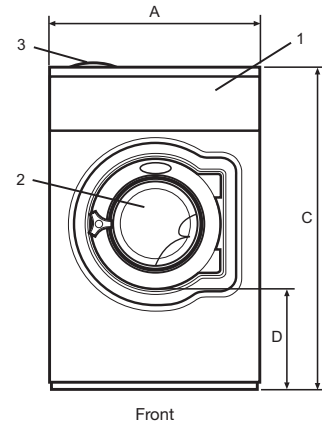
Certified in accordance with ISO 9001 and ISO 14001 and approved IP 24D. Certified in accordance with UL/ETL standards.



Thinking of you
Electrolux

Electrical connections*					
Heating alternative	Main voltage		Heating power kW	Total power kW	Recommended ITCB A
		Hz			
Electric heated	208-240V 3 ~	60	18.0	18.3	70
	440V 3 ~	60	18.0	18.4	40
	480V 3 ~	60	18.0	18.4	35
Steam or Non heated	120V 1 ~	60	-	2.3	30
	208-480V 1/3 ~	60	-	2.5	15

Water and steam connection		W5250S
Water valves	DN/inch	20 / 3/4
Water pressure	psi	30-90
Capacity at 300 kPa	l/min	60
Drain valve	ø mm/inch	75 / 3
Draining capacity	l/min	170
Steam valve	DN/inch	15 / 1/2
Steam pressure	psi	40-90
Liquid detergent supplies		5
Floor requirements		
Frequency of the dynamic force	Hz	11.7
Floor load at max extraction	kN	3.8 ± 5.9
Sound levels		
Sound power level (IEC 60704-2-4)		
wash	dB(A)	67
extraction	dB(A)	76
Heat emission		
% of installed power, max		5
Shipping data		
Weight	net, kg/lbs crated, kg/lbs	287 / 632.7 302 / 665.8
Shipping volume	m ³ /ft ³	1.51 / 53.3
Accessories		
Steel base		x
Hose kits for water or steam		x
Fluff collector		x
Dimensions in mm/inch		
A Width		830 / 32 11/16
B Depth		955 / 37 5/8
C Height		1410 / 55 1/2
D		470 / 18 1/2
E		990 / 39
F		1120 / 44 1/8
G		45 / 1 3/4
H		1330 / 52 3/8
I		325 / 12 13/16
J		245 / 9 5/8
K		1290 / 50 13/16
L		1125 / 44 5/16
M		325 / 12 13/16
N		100 / 3 15/16
O		265 / 10 7/16
P		160 / 6 5/16
1 Operating panel	6 Water re-use	
2 Door opening ø 435 mm / 17 1/8 inch	7 Drain	
3 Detergent box	8 Liquid detergent supply	
4 Cold water	9 Electrical connection	
5 Hot water	10 Steam connection	



Front and side panels in light grey and blue (RAL 260 70 05, 250 60 30)

* Other voltages available, see installation manual

Art. No. 438919506US/2013.05.03
We reserve the right to alter specifications without notice.

For Electrolux Professional Laundry Solutions in North America, please contact:

www.electroluxusa.com/laundrysystems

Share more of our thinking at www.electrolux.com

Laundrylux
461 Doughty Boulevard • Inwood, NY 11097-1384
(800) 381-7222 • info@laundrylux.com
www.laundrylux.com