



Thinking of you
Electrolux

PROFESSIONAL LAUNDRY

Extra Spin "X" 220-300G Washer

W5280X – 62 lb

Features and benefits

- **Compass Pro® microprocessor offers:**
 - Large display and one control knob for easy program selection
 - Language selection
 - Quick selection and option buttons for the most frequently used wash programs and options
- **AWS – Automatic Water Savings:**
 - Save up to 30% on water with AWS – automatically. With every wash cycle, AWS determines the actual weight of the load and adds precisely the right amount of water, significantly reducing water consumption and energy costs
- Extremely low water and energy consumption
- Four compartment detergent box for manual dosing of powder or liquid detergent
- High extraction force for efficient de-watering
- Door with gasket and strong hinges built for heavy duty operation
- Stainless and galvanized steel in all vital parts for high degree of rust protection
- **Power Balance:**
 - Maximizes the extraction force, leading to highest de-watering and savings in drying
 - Minimizes the stress on the machine, leading to trouble-free operation and increased machine lifetime
 - Reduces vibrations, making it possible to install the machine in all locations



Coin, card ready, & OPL models available.

Images shown are a representation of the product only and variations may occur.

Main options

- Stainless steel side panels
- Voice guidance option

Main specifications			W5280X	
Max. capacity	filling factor 1:9	kg/lb	28/65	
Drum,	volume	litre/ft ³	280/9.9	
	diameter	ø mm/inch	830 / 32 11/16	
Extraction		rpm	805	
G-factor			300	
Heating alternatives, 230/400V	steam		x	
	non-heated		x	
Consumption data 6S03/6L33			Full load, 28 kg / 62 lb	Half load, 14 kg / 31 lb**
"Warm" *				
Total time		min	29	27
Water consumption (cold+hot)		litre/gallon	230/60.8+21/5.5	123/32.5+9/2.4
Energy consumption (motor/heating/hot water)		kWh	0.25/1.95/1.35	0.20/1.15/0.55
Steam consumption		kg/lbs	4.95/10.9	2.55/5.6
Residual moisture		%	-	-
* Water temperature 59°F cold water and 149°F hot water.				
** Programs with AWS.				

Certified in accordance with ISO 9001 and ISO 14001 and approved IP 24D. Certified in accordance with UL/ETL standards.



Thinking of you
Electrolux

Electrical connections					
Heating alternative	Main voltage		Heating power kW	Total power kW	Recommended ITCB A
		Hz			
Steam or Non heated	208-240V 1 ~	60	-	1.5	15

Water and steam connection		W5280X
Water valves	DN/inch	20 / 3/4
Water pressure	psi	30-90
Capacity at 300 kPa	l/min	60
Drain valve	ø mm/inch	75 / 3
Steam valve	DN/inch	15 / 1/2
Steam pressure	psi	7-40

Floor requirements		
Frequency of the dynamic force	Hz	13.4
Floor load at max extraction	kN	4.9 ± 9.5

Sound levels		
Sound power level (IEC 60704-2-4)		
wash	dB(A)	69
extraction	dB(A)	75

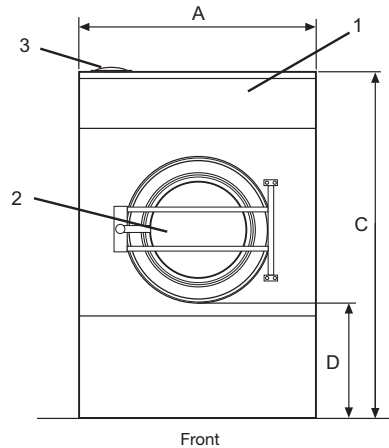
Heat emission		
% of installed power, max		5

Shipping data		
Weight	net, kg/lbs	380 / 838
	crated, kg/lbs	400 / 882
Shipping volume	m ³ /ft ³	2 / 22

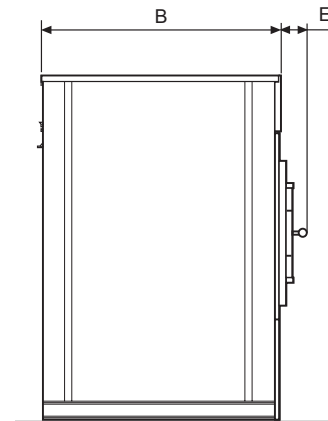
Dimensions in mm/inch		
A	Width	935 / 36 13/16
B	Depth	970 / 38 3/16
C	Height	1455 / 57 5/16
D		515 / 20 1/4
E		120 / 4 3/4
F		400 / 15 3/4
G		55 / 2 3/16
H		1365 / 53 3/4
I		220 / 8 11/16
J		1325 / 52 3/16
K		315 / 12 3/8
L		415 / 16 5/16
M		120 / 4 3/4
N		170 / 6 11/16

1	Operating panel	6	Water re-use
2	Door opening ø 410 mm / 16 1/8 inch	7	Drain valve
3	Detergent box	8	Liquid detergent supply
4	Cold water	9	Electrical connection
5	Hot water	10	Steam connection

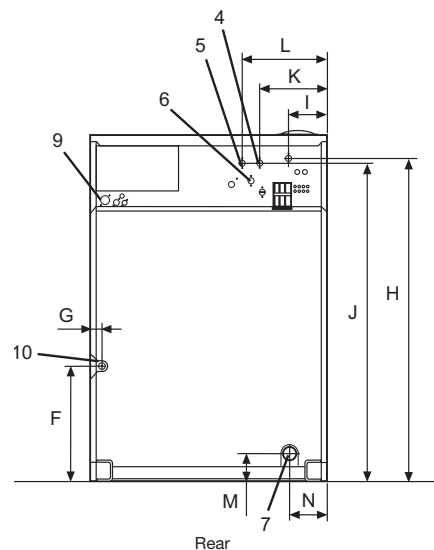
* Other voltages available, see installation manual



Front



Side view



Rear

Art. No. 438919531US/2013.05.10
We reserve the right to alter specifications without notice.

For Electrolux Professional Laundry Solutions in North America, please contact:

Laundrylux
461 Doughty Boulevard • Inwood, NY 11097-1384
(800) 381-7222 • info@laundrylux.com
www.laundrylux.com

www.electroluxusa.com/laundrysystems

Share more of our thinking at www.electrolux.com