



Extra Spin "X" 220-300G Washer

W5600X – 135 lb

Features and benefits

- **Compass Pro® for simplicity and ease of use**
 - Large and clear display for easy program selection
 - Multiple Language selections
 - Voice guidance option
 - Real time clock for time of day pricing
 - USB port in front for easy access
- **Sanitizing Rinse for greater customer satisfaction**
- **Automatic Water Savings (AWS) for cost savings - automatically**
 - Determines load weight & adds precisely the correct amount of water
 - Up to 30% water savings for half loads
 - Less water to heat
 - Reduces water and energy usage
- **Extended life and reliability**
 - SuperBalance™ precisely and automatically calculates the amount of unbalanced load, then adjusts distribution and extraction speeds to maximize water extraction
 - Less vibration, maximum water extraction, & lower energy costs
 - Heavy duty bearings with three seals and sealed drain
 - Robust steel door and lock mechanism
- **Customers appreciate the size and time**
 - High-spin extraction for faster dry time, big gas savings
 - Customers served more quickly
 - Greater customer turns and profits



Coin, card ready, & OPL models available.
Images shown are a representation of the product only and variations may occur.

Main options

- Stainless steel side panels
- Coin-meter
- Five compartment supply injector
- Third water inlet valve

Main specifications				W5600X	
Max. capacity	filling factor 1:9	kg/lb		60/135	
Drum,	volume	litre/ft ³		600/21.2	
	diameter	ø mm/inch		980 / 38 9/16	
Extraction		rpm		630	
G-factor				220	
Heating alternatives, 230/400V	electricity	kW		35	
	steam			x	
	non-heated			x	
Consumption data 6S03/6L33 "Warm" *				Full load, 60 kg / 135 lb	Half load, 30 kg / 67.5 lb**
Total time		min	31	30.5	
Water consumption (cold+hot)		litre/gallon	485/38+45/12	450/119+50/13	
Energy consumption (motor/heating/hot water)		kWh	0.55/4.25/2.9	0.55/2.9/3.2	
Steam consumption		kg/lbs	10.7/25.6	9.2/20.3	
Residual moisture		%			

* Water temperature 59°F cold water and 149°F hot water.
** Depending on steam pressure.



Thinking of you
Electrolux

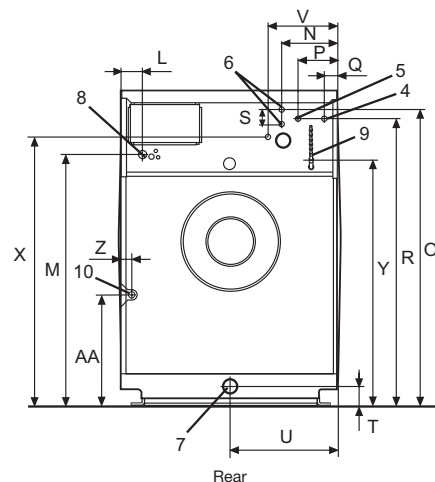
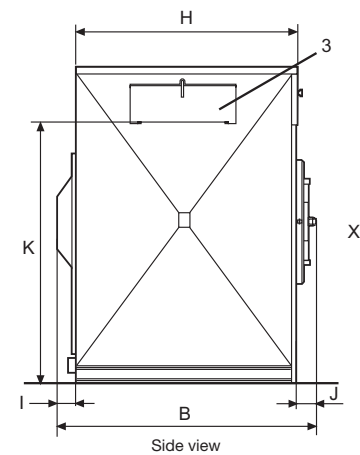
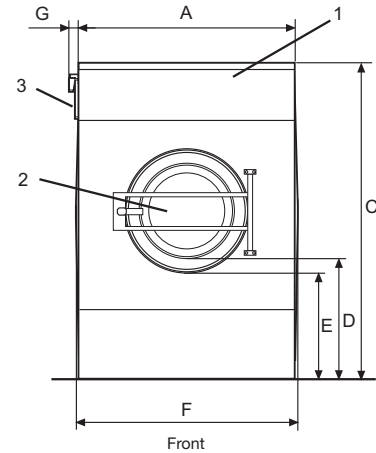
Electrical connections						
Heating alternative	Main voltage		Heating power kW	Total power kW	Recommended ITCB A	
	Hz	~				
Non heated or steam heated	208-240V	1 ~	60	-	2.6	15

Water and steam connection		W5600X
Water valves	DN/inch	25/1
Water pressure	psi	30-90
Capacity at 300 kPa	l/min	110
Drain valve	ø mm/inch	75/3
Draining capacity	l/min	170
Steam valve	DN/inch	20 / 3/4
Steam pressure	psi	7-40
Floor requirements		
Frequency of the dynamic force	Hz	10.5
Floor load at max extraction	kN	10 ± 15.6
Sound levels		
Sound power level (IEC 60704-2-4)		
wash	dB(A)	70
extraction	dB(A)	84
Heat emission		
% of installed power, max		5
Shipping data		
Weight	net, kg/lbs crated, kg/lbs m³/ft³	775 / 1709 800 / 1764 3.2 / 34
Dimensions in mm/inch		
A	Width	1145 / 45 1/16
B	Depth	1190 / 46 7/8
C	Height	1670 / 65 3/4
D		600 / 23 5/8
E		535 / 21 1/16
F		1175 / 46 1/4
G		50 / 1 15/16
H		1185 / 46 5/8
I		105 / 4 1/8
J		120 / 4 3/4
K		1390 / 54 3/4
L		110 / 4 5/16
M		1350 / 53 1/8
N		305 / 12
O		1585 / 62 3/8
P		215 / 8 7/16
Q		75 / 2 15/16
R		1540 / 60 5/8
S		75 / 2 15/16
T		105 / 4 1/8
U		570 / 22 7/16
V		375 / 14 3/4
X		1445 / 56 7/8
Y		1315 / 51 3/4

- | | |
|--|---|
| 1 Operating panel | 6 Cold or hot water, supply injector (option) |
| 2 Door opening ø 535 mm / 21 1/16 inch | 7 Drain |
| 3 Detergent supply injector, powder (option) | 8 Electrical connection |
| 4 Cold water | 9 Liquid detergent supply connections |
| 5 Hot water | 10 Steam connection |

* Other voltages available, see installation manual

www.electroluxusa.com/laundrysystems
Share more of our thinking at www.electrolux.com



Art. No. 438919533KO/2013.05.17
We reserve the right to alter specifications without notice.

For Electrolux Professional Laundry Solutions in North America, please contact:

Laundrylux
461 Doughty Boulevard • Inwood, NY 11097-1384
(800) 381-7222 • info@laundrylux.com
www.laundrylux.com