



Thinking of you
Electrolux

PROFESSIONAL LAUNDRY

High-Spin “H” 450G Washer W5105H – 25 lb, Soft-mount

Features and benefits

- **Compass Pro® microprocessor offers:**
 - Large display and one control knob for easy program selection
 - Language selection
 - Quick selection and option buttons for the most frequently used wash programs and options
- **AWS – Automatic Water Savings:**
 - Save up to 30% on water with AWS – automatically. With every wash cycle, AWS determines the actual weight of the load and adds precisely the right amount of water, significantly reducing water consumption and energy costs
- **Soft-mount** for easy installation on wood floors, upper levels and over basements
- Extremely low water and energy consumption
- Four compartment detergent box for manual dosing of powder or liquid detergent
- High extraction force for efficient de-watering
- Door with gasket and strong hinges built for heavy duty operation
- Stainless & galvanized steel in all vital parts for high degree of rust protection
- **Power Balance:**
 - Maximizes the extraction force, leading to highest de-watering and savings in drying
 - Minimizes the stress on the machine, leading to trouble-free operation and increased machine lifetime
 - Reduces vibrations, making for easy installation in all locations



Coin, card ready, & OPL models available.

Images shown are a representation of the product only and variations may occur.

Main options

- Automatic liquid detergent supply (optional I/O board)
- Stainless steel front panel
- Unique text messaging option
- Voice guidance option
- Drain pump



Main specifications			W5105H			
Max. capacity	filling factor 1:9	kg/lb	11/25			
Drum, volume		litre/ft³	105/3.7			
	diameter	ø mm/inch	595 / 23 7/16			
Extraction		rpm	1165			
G-factor			450			
Standard heating alternatives	electricity	kW	7.5 / 10.0			
Low energy heating alternatives	electricity	kW	3.0			
	steam		x			
	non-heated		x			
Modified energy factor			2.7			
Water factor			3.4			
Consumption data 6S03/6L33			EI		Steam***	
“Warm” *			Full load, 11 kg / 25 lb	Half load**, 5.5 kg / 12.5 lb	Full load, 11 kg / 25 lb	Half load**, 5.5 kg / 12.5 lb
Total time		min	27	25	27	25
Water consumption (cold+hot)		litre/gallon	76/20 + 6/2	42/11 + 4/1	76/20 + 6/2	42/11 + 4/1
Energy consumption (motor/heating/hot water)		kWh	0.15/0.8/0.4	0.15/0.45/0.25	0.15/-	0.15/-
Steam consumption		kg/lbs	-	-	1.8/4.0	1.1/2.4
Residual moisture		%	50	51	50	51

* Water temperature 59°F cold water and 149°F hot water.
** Programs with AWS.
*** Depending on steam pressure.

Certified in accordance with ISO 9001 and ISO 14001 and approved IP 24D. Certified in accordance with UL/ETL standards.



Thinking of you
Electrolux

Electrical connections*					
Heating alternative	Main voltage		Heating power kW	Total power kW	Recommended ITCB A
		Hz			
Electric heated	208-240V 1 ~	60	3.0/7.5/10.0	3.3/7.8/10.3	20/50/60
	208-240V 3 ~	60	3.0/7.5/10.0	3.3/7.8/10.3	15/25/35
	440/480V 3 ~	60	7.5/10.0	7.8/10.3	15/20
Steam or Non heated	120-480V 1/3 ~	60	-	1.0	15

Water and steam connection		W5105H
Water valves	DN/inch	20 / 3/4
Water pressure	psi	30-90
Capacity at 300 kPa	l/min	20
Drain valve	ø mm/inch	75 / 3
Draining capacity	l/min	170
Steam valve	DN/inch	15 / 1/2
Steam pressure	psi	40-90
Liquid detergent supplies		5

Floor requirements	
Frequency of the dynamic force	Hz 19.4
Floor load at max extraction	kN 2.5 ± 0.5

Sound levels	
Sound power level (IEC 60704-2-4) wash	dB(A) 63
extraction	dB(A) 78

Heat emission	
% of installed power, max	5

Shipping data	
Weight	net, kg/lbs 201 / 443.1 crated, kg/lbs 225 / 496
Shipping volume	m ³ /ft ³ 0.99 / 35

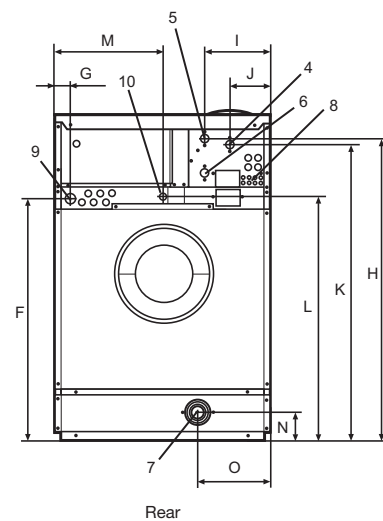
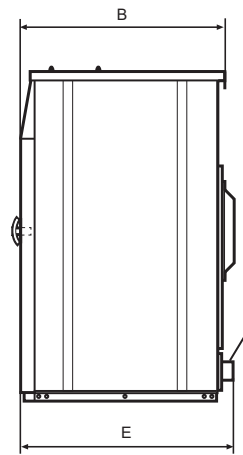
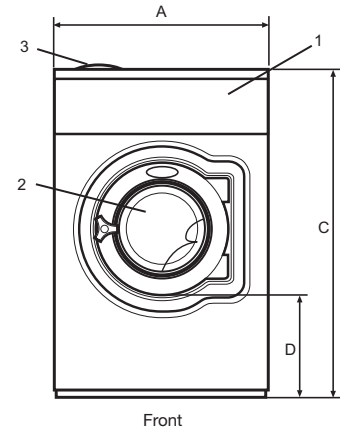
Accessories	
Steel base	x
Hose kits for water or steam	x
Fluff collector	x

Dimensions in mm/inch	
A Width	830 / 32 11/16
B Depth	705 / 27 3/4
C Height	1200 / 47 1/4
D	365 / 14 3/8
E	740 / 29 1/8
F	945 / 37 3/16
G	45 / 1 3/4
H	1095 / 43 1/8
I	220 / 8 11/16
J	135 / 5 5/16
K	995 / 39 3/16
L	910 / 35 13/16
M	415 / 16 5/16
N	100 / 3 15/16
O	295 / 11 5/8

1 Operating panel	6 Hard water
2 Door opening ø 365 mm / 14 3/8 inch	7 Drain
3 Detergent box	8 Liquid detergent supply
4 Cold water	9 Electrical connection
5 Hot water	10 Steam connection

Front and side panels in light grey and blue (RAL 260 70 05, 250 60 30)

* Other voltages available, see installation manual



For Electrolux Professional Laundry Solutions in North America, please contact:

www.electroluxusa.com/laundrysystems

Share more of our thinking at www.electrolux.com

Laundrylux
461 Doughty Boulevard • Inwood, NY 11097-1384
(800) 381-7222 • info@laundrylux.com
www.laundrylux.com

Art. No. 438919496US/2013.05.03
We reserve the right to alter specifications without notice.