



Thinking of you  
**Electrolux**

PROFESSIONAL LAUNDRY

# High-Spin "H" 450G Washer W5130H – 30 lb, Soft-mount

## Features and benefits

- **Compass Pro® microprocessor offers:**
  - Large display and one control knob for easy program selection
  - Language selection
  - Quick selection and option buttons for the most frequently used wash programs and options
- **AWS – Automatic Water Savings:**
  - Save up to 30% on water with AWS – automatically. With every wash cycle, AWS determines the actual weight of the load and adds precisely the right amount of water, significantly reducing water consumption and energy costs
- **Soft-mount** for easy installation on wood floors, upper levels and over basements
- Extremely low water and energy consumption
- Four compartment detergent box for manual dosing of powder or liquid detergent
- High extraction force for efficient de-watering
- Door with gasket and strong hinges built for heavy duty operation
- Stainless & galvanized steel in all vital parts for high degree of rust protection
- **Power Balance:**
  - Maximizes the extraction force, leading to highest de-watering and savings in drying
  - Minimizes the stress on the machine, leading to trouble-free operation and increased machine lifetime
  - Reduces vibrations, making for easy installation in all locations



**Coin, card ready, & OPL models available.**

*Images shown are a representation of the product only and variations may occur.*

## Main options

- Automatic liquid detergent supply (optional I/O board)
- Stainless steel front panel
- Unique text messaging option
- Voice guidance option



Main specifications				W5130H			
Max. capacity	filling factor 1:9	kg/lb		14/30			
Drum, volume	diameter	litre/ft <sup>3</sup>		130/4.6			
		ø mm/inch		650 / 25 9/16			
Extraction		rpm		1115			
G-factor				450			
Standard heating alternatives	electricity	kW		13.0			
	steam			x			
	non-heated			x			
Modified energy factor				2.6			
Water factor				4.2			
<b>Consumption data 6S03/6L33</b>				EI		Steam***	
<b>"Warm" *</b>				Full load, 14 kg / 30 lb	Half load**, 7 kg / 15 lb	Full load, 14 kg / 30 lb	Half load**, 7 kg / 15 lb
Total time		min		28	25.5	28	25.5
Water consumption (cold+hot)		litre/gallon		156/41 + 8/2	51/14 + 5/1	156/41 + 8/2	51/14 + 5/1
Energy consumption (motor/heating/hot water)		kWh		0.20/1.0/0.5	0.20/0.55/0.3	0.20/-	0.20/-
Steam consumption		kg/lbs		-	-	2.3/5.1	1.3/2.9
Residual moisture		%		50	51	50	51

.. Water temperature 59°F cold water and 149°F hot water.  
\*\* Programs with AWS.  
\*\*\* Depending on steam pressure.

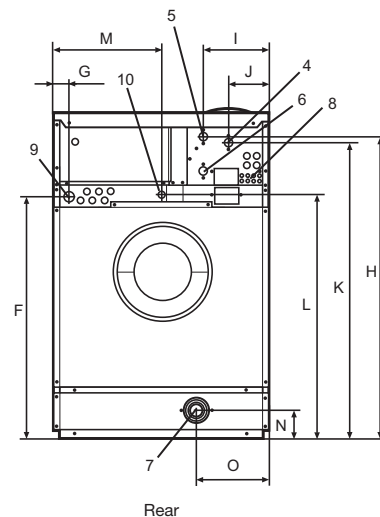
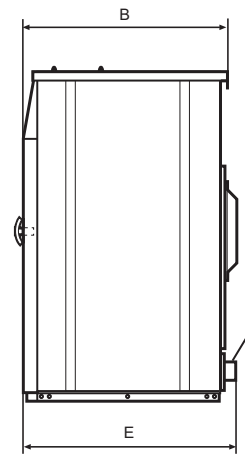
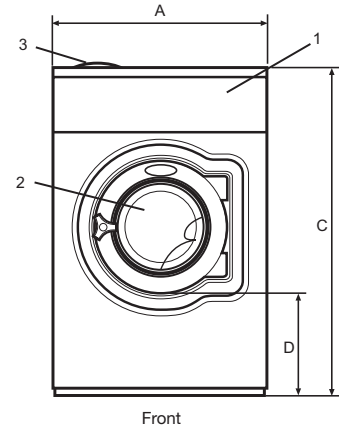
Certified in accordance with ISO 9001 and ISO 14001 and approved IP 24D. Certified in accordance with UL/ETL standards.



Thinking of you  
**Electrolux**

Electrical connections*					
Heating alternative	Main voltage		Heating power kW	Total power kW	Recommended ITCB A
		Hz			
Electric heated	208-240V 1 ~	60	13.0	13.3	70
	208-240V 3 ~	60	13.0	13.3	50
	440/480V 3 ~	60	13.0	13.3	25
Steam or Non heated	120-480V 1/3 ~	60	-	1.0	15

Water and steam connection		W5130H
Water valves	DN/inch	20 / 3/4
Water pressure	psi	20-60
Capacity at 300 kPa	l/min	20
Drain valve	ø mm/inch	75 / 3
Draining capacity	l/min	170
Steam valve	DN/inch	15 / 1/2
Steam pressure	psi	40-90
Liquid detergent supplies		5
Floor requirements		
Frequency of the dynamic force	Hz	18.6
Floor load at max extraction	kN	3.1 ± 0.5
Sound levels		
Sound power level (IEC 60704-2-4)		
wash	dB(A)	65
extraction	dB(A)	79
Heat emission		
% of installed power, max		5
Shipping data		
Weight	net, kg/lbs crated, kg/lbs	267 / 588.6 284 / 626.1
Shipping volume	m <sup>3</sup> /ft <sup>3</sup>	1.27 / 44.8
Accessories		
Steel base		x
Hose kits for water or steam		x
Fluff collector		x
Dimensions in mm/inch		
A	Width	910 / 35 13/16
B	Depth	785 / 30 7/8
C	Height	1325 / 52 3/16
D		435 / 17 1/8
E		825 / 32 1/2
F		1035 / 40 3/4
G		125 / 4 15/16
H		1225 / 48 1/4
I		215 / 8 7/16
J		300 / 11 13/16
K		1125 / 44 5/16
L		-
M		-
N		100 / 3 15/16
O		305 / 12
1	Operating panel	6 Hard water
2	Door opening ø 395 mm / 15 9/16 inch	7 Drain
3	Detergent box	8 Liquid detergent supply
4	Cold water	9 Electrical connection
5	Hot water	10 Steam connection



Front and side panels in light grey and blue (RAL 260 70 05, 250 60 30)

\* Other voltages available, see installation manual

Art. No. 438919497US/2013.05.03  
We reserve the right to alter specifications without notice.

For Electrolux Professional Laundry Solutions in North America, please contact:

[www.electroluxusa.com/laundrysystems](http://www.electroluxusa.com/laundrysystems)

Share more of our thinking at [www.electrolux.com](http://www.electrolux.com)

Laundrylux  
461 Doughty Boulevard • Inwood, NY 11097-1384  
(800) 381-7222 • [info@laundrylux.com](mailto:info@laundrylux.com)  
[www.laundrylux.com](http://www.laundrylux.com)