



Thinking of you
Electrolux

PROFESSIONAL LAUNDRY

High-Spin “H” 450G Washer W5180H – 45 lb, Soft-mount

Features and benefits

- **Compass Pro® microprocessor offers:**
 - Large display and one control knob for easy program selection
 - Language selection
 - Quick selection and option buttons for the most frequently used wash programs and options
- **AWS – Automatic Water Savings:**
 - Save up to 30% on water with AWS – automatically. With every wash cycle, AWS determines the actual weight of the load and adds precisely the right amount of water, significantly reducing water consumption and energy costs
- **Soft-mount** for easy installation on wood floors, upper levels and over basements
- Extremely low water and energy consumption
- Four compartment detergent box for manual dosing of powder or liquid detergent
- High extraction force for efficient de-watering
- Door with gasket and strong hinges built for heavy duty operation
- Stainless & galvanized steel in all vital parts for high degree of rust protection
- **Power Balance:**
 - Maximizes the extraction force, leading to highest de-watering and savings in drying
 - Minimizes the stress on the machine, leading to trouble-free operation and increased machine lifetime
 - Reduces vibrations, making for easy installation in all locations



Coin, card ready, & OPL models available.

Images shown are a representation of the product only and variations may occur.

Main options

- Automatic liquid detergent supply (optional I/O board)
- Stainless steel front panel
- Unique text messaging option
- Voice guidance option



Main specifications				W5180H			
Max. capacity	filling factor 1:9	kg/lb		20/45			
Drum, volume	diameter	litre/ft ³		180/6.4			
		ø mm/inch		725 / 28 9/16			
Extraction		rpm		1055			
G-factor				450			
Standard heating alternatives	electricity	kW		18.0			
	steam			x			
	non-heated			x			
Modified energy factor				2.3			
Water factor				4.1			
Consumption data 6S03/6L33				EI		Steam***	
“Warm” *				Full load, 20 kg	Half load**, 10 kg	Full load, 20 kg	Half load**, 10 kg
Total time		min		25.5	24	25.5	24
Water consumption (cold+hot)		litre/gallon		137/36 + 10/3	74/20 + 6/2	137/36 + 10/3	74/20 + 6/2
Energy consumption (motor/heating/hot water)		kWh		0.30/1.5/0.65	0.30/0.7/0.4	0.30/-	0.30/-
Steam consumption		kg/lbs		-	-	3.2/7.1	1.7/3.7
Residual moisture		%		50	51	50	51

* Water temperature 59°F cold water and 149°F hot water.
** Programs with AWS.
*** Depending on steam pressure.

Certified in accordance with ISO 9001 and ISO 14001 and approved IP 24D. Certified in accordance with UL/ETL standards.



Thinking of you
Electrolux

Electrical connections*

Heating alternative	Main voltage		Heating power kW	Total power kW	Recommended ITCB A
		Hz			
Electric heated	208-240V 1 ~	60	18.0	18.3	60
	440V 3 ~	60	18.0	18.4	35
	480V 3 ~	60	18.0	18.4	30
Steam or Non heated	120V 1 ~	60	-	2.3	30
	208-480V 1/3 ~	60	-	2.4	15

Water and steam connection

		W5180H
Water valves	DN/inch	20
Water pressure	psi	20-60
Capacity at 300 kPa	l/min	30
Drain valve	ø mm/inch	75 / 3
Draining capacity	l/min	170
Steam valve	DN/inch	15 / 1/2
Steam pressure	psi	40-90
Liquid detergent supplies		5

Floor requirements

Frequency of the dynamic force	Hz	17.6
Floor load at max extraction	kN	4.2 ± 1.0

Sound levels

Sound power level (IEC 60704-2-4)		
wash	dB(A)	67
extraction	dB(A)	85

Heat emission

% of installed power, max		5
---------------------------	--	---

Shipping data

Weight	net, kg/lbs crated, kg/lbs	350 / 771.7 376 / 829
Shipping volume	m ³ /ft ³	1.64 / 58

Accessories

Steel base		X
Hose kits for water or steam		X
Fluff collector		X

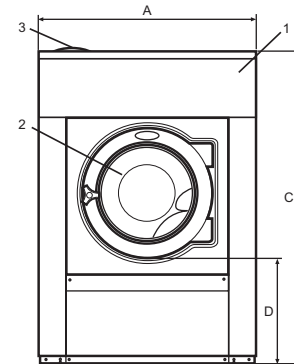
Dimensions in mm/inch

A	Width	970 / 38 3/16
B	Depth	870 / 34 1/4
C	Height	1410 / 55 1/2
D		470 / 18 1/2
E		910 / 35 13/16
F		1120 / 44 1/8
G		115 / 4 1/2
H		1330 / 52 3/8
I		230 / 9 1/16
J		315 / 12 3/8
K		1290 / 50 13/16
L		-
M		485 / 19 1/8
N		100 / 3 15/16
O		335 / 13 3/16
P		400 / 15 3/4

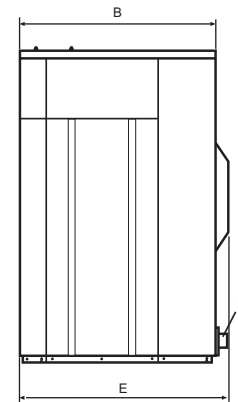
1	Operating panel	6	-
2	Door opening ø 435 mm / 17 1/8 inch	7	Drain
3	Detergent box	8	Liquid detergent supply
4	Cold water	9	Electrical connection
5	Hot water	10	Steam connection

Front and side panels in light grey and blue (RAL 260 70 05, 250 60 30)

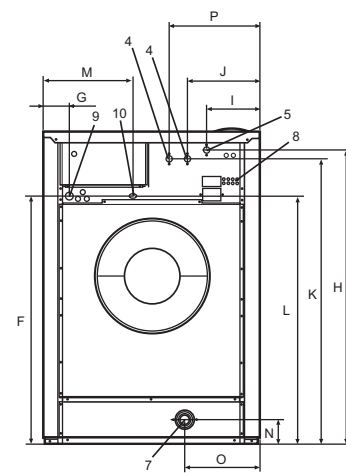
* Other voltages available, see installation manual



Front



Side view



Rear

Art. No. 438919498KO/2013.05.17
We reserve the right to alter specifications without notice.

For Electrolux Professional Laundry Solutions in North America, please contact:

Laundrylux
461 Doughty Boulevard • Inwood, NY 11097-1384
(800) 381-7222 • info@laundrylux.com
www.laundrylux.com

www.electroluxusa.com/laundrysystems

Share more of our thinking at www.electrolux.com