



High-Spin "H" 450G Washer W5300H – 75 lb, Soft-mount

Features and benefits

- **Compass Pro® microprocessor offers:**
 - Large display and one control knob for easy program selection
 - Language selection
 - Quick selection and option buttons for the most frequently used wash programs and options
- **AWS – Automatic Water Savings:**
 - Save up to 30% on water with AWS – automatically. With every wash cycle, AWS determines the actual weight of the load and adds precisely the right amount of water, significantly reducing water consumption and energy costs
- **Soft-mount** for easy installation on wood floors, upper levels and over basements
- Extremely low water and energy consumption
- Four compartment detergent box for manual dosing of powder or liquid detergent
- High extraction force for efficient de-watering
- Door with gasket and strong hinges built for heavy duty operation
- Stainless & galvanized steel in all vital parts for high degree of rust protection
- **Power Balance:**
 - Maximizes the extraction force, leading to highest de-watering and savings in drying
 - Minimizes the stress on the machine, leading to trouble-free operation and increased machine lifetime
 - Reduces vibrations, making for easy installation in all locations



Coin, card ready, & OPL models available.
Images shown are a representation of the product only and variations may occur.

Main options

- Automatic liquid detergent supply (optional I/O board)
- Stainless steel front panel
- Unique text messaging option
- Voice guidance option

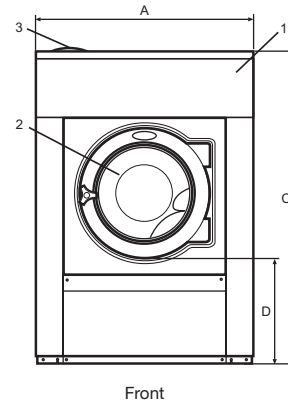
Main specifications				W5300H			
Max. capacity	filling factor 1:9	kg/lb		33/75			
Drum,	volume	litre/ft ³		300/10.6			
	diameter	ø mm/inch		795 / 31 5/16			
Extraction		rpm		950			
G-factor				400			
Standard heating alternatives		electricity	kW	19.1 / 19.8 / 23.0			
		steam		x			
		non-heated		x			
Modified energy factor****				2.3			
Water factor****				4.1			
Consumption data 6S03/6L33				EI		Steam***	
"Warm" *				Full load, 33 kg / 75 lb	Half load**, 16.5 kg / 37.5 lb	Full load, 33 kg / 75 lb	Half load**, 16.5 kg / 37.5 lb
Total time		min		27	25	27	25
Water consumption (cold+hot)		litre/gallon		224/59 + 17/5	109/29 + 8/2	224/59 + 17/5	109/29 + 8/2
Energy consumption (motor/heating/hot water)		kWh		0.35/2.35/1.05	0.35/1.15/0.5	0.35/-	0.35/-
Steam consumption		kg/lbs		-	-	5.1/11.2	2.5/5.5
Residual moisture		%		50	51	50	51

* Water temperature 59°F cold water and 149°F hot water.
** Programs with AWS.
*** Depending on steam pressure.
**** The figures are based on theoretical calculations and not lab tests, with AWS program.

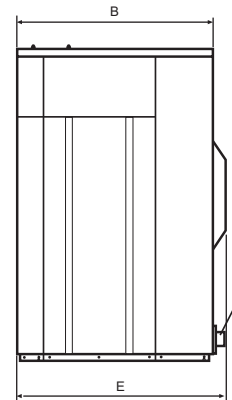


Thinking of you
Electrolux

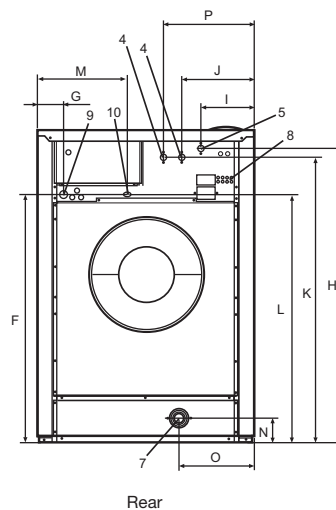
Electrical connections*					
Heating alternative	Main voltage		Heating power kW	Total power kW	Recommended ITCB A
		Hz			
Electric heated	208-240V 3 ~	60	19.8/23.0	20.3/23.3	70/80
	440V 3 ~	60	21.0/23.0	22.1/24.1	50
	480V 3 ~	60	23.0	24.1	50
Steam or Non heated	120V 1 ~	60	-	2.4	30
	208-480V 1/3 ~	60	-	2.4	15



Front



Side view



Rear

Water and steam connection		W5300H
Water valves	DN/inch	20 / 3/4
Water pressure	psi	20-60
Capacity at 300 kPa	l/min	60
Drain valve	ø mm/inch	75 / 3
Draining capacity	l/min	170
Steam valve	DN/inch	15 / 1/2
Steam pressure	psi	40-90
Liquid detergent supplies		5
Floor requirements		
Frequency of the dynamic force	Hz	15.8
Floor load at max extraction	kN	6.2 ± 1.3
Sound levels		
Sound power level (IEC 60704-2-4)		
wash	dB(A)	67
extraction	dB(A)	84
Heat emission		
% of installed power, max		5
Shipping data		
Weight	net, kg/lbs crated, kg/lbs m³/ft³	509 / 1122.2 575 / 1267.7 2.1 / 74.2
Accessories		
Steel base		x
Hose kits for water or steam		x
Fluff collector		x
Dimensions in mm/inch		
A Width		1020 / 40 3/16
B Depth		1060 / 41 3/4
C Height		1445 / 56 7/8
D		500 / 19 11/16
E		1135 / 44 11/16
F		1155 / 45 1/2
G		100 / 3 15/16
H		1360 / 53 9/16
I		215 / 8 7/16
J		300 / 11 13/16
K		1320 / 51 15/16
L		-
M		330 / 13
N		100 / 3 15/16
O		360 / 14 3/16
P		380 / 14 15/16
1 Operating panel	6 -	
2 Door opening ø 435 mm / 17 1/8 inch	7 Drain	
3 Detergent box	8 Liquid detergent supply	
4 Cold water	9 Electrical connection	
5 Hot water	10 Steam connection	

Front and side panels in light grey and blue (RAL 260 70 05, 250 60 30)

* Other voltages available, see installation manual

Art. No. 438919500US/2013.05.03
We reserve the right to alter specifications without notice.

For Electrolux Professional Laundry Solutions in North America, please contact:

Laundrylux
461 Doughty Boulevard • Inwood, NY 11097-1384
(800) 381-7222 • info@laundrylux.com
www.laundrylux.com

www.electroluxusa.com/laundrysystems

Share more of our thinking at www.electrolux.com