



Thinking of you
Electrolux

PROFESSIONAL LAUNDRY

High-Spin "H" 450G Washer W575H – 18 lb, Soft-mount

Features and benefits

- **Compass Pro® microprocessor offers:**
 - Large display and one control knob for easy program selection
 - Language selection
 - Quick selection and option buttons for the most frequently used wash programs and options
- **AWS – Automatic Water Savings:**
 - Save up to 30% on water with AWS – automatically. With every wash cycle, AWS determines the actual weight of the load and adds precisely the right amount of water, significantly reducing water consumption and energy costs
- **Soft-mount** for easy installation on wood floors, upper levels and over basements
- Extremely low water and energy consumption
- Four compartment detergent box for manual dosing of powder or liquid detergent
- High extraction force for efficient de-watering
- Door with gasket and strong hinges built for heavy duty operation
- Stainless & galvanized steel in all vital parts for high degree of rust protection
- **Power Balance:**
 - Maximizes the extraction force, leading to highest de-watering and savings in drying
 - Minimizes the stress on the machine, leading to trouble-free operation and increased machine lifetime
 - Reduces vibrations, making for easy installation in all locations



Coin, card ready, & OPL models available.

Images shown are a representation of the product only and variations may occur.

Main options

- Automatic liquid detergent supply (optional I/O board)
- Stainless steel front panel
- Unique text messaging option
- Voice guidance option
- Drain pump



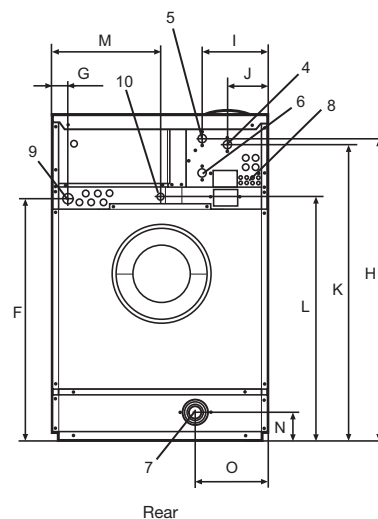
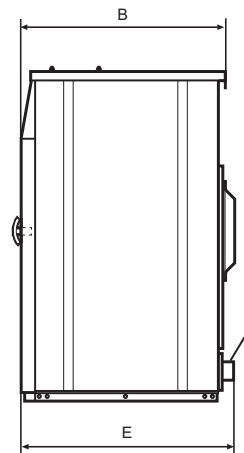
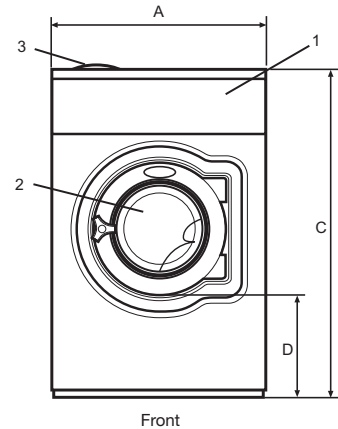
Main specifications				W575H			
Max. capacity	filling factor 1:9	kg/lb		8/18			
Drum, volume		litre/ft ³		75/2.6			
	diameter	ø mm/inch		520 / 29 1/2			
Extraction		rpm		1245			
G-factor				450			
Standard heating alternatives	electricity	kW		7.5			
Low energy heating alternatives	electricity	kW		2.0 / 3.0			
	steam			x			
	non-heated			x			
Modified energy factor				2.7			
Water factor				4.1			
Consumption data 6S03/6L33 "Warm" *				EI		Steam***	
Total time		min		Full load, 8 kg / 18 lb	Half load**, 4 kg / 9 lb	Full load, 8 kg / 18 lb	Half load**, 4 kg / 9 lb
Water consumption (cold+hot)		litre/gallon		25.5	24.5	25.5	24.5
Energy consumption (motor/heating/hot water)		kWh		52/14 + 4/1	34/9 + 3/1	52/14 + 4/1	34/9 + 3/1
Steam consumption		kg/lbs		0.1/0.55/0.25	0.1/0.35/0.2	0.1/-	0.1/-
Residual moisture		%		-	-	1.2/2.6	0.8/1.8
				50	51	50	51

Certified in accordance with ISO 9001 and ISO 14001 and approved IP 24D. Certified in accordance with UL/ETL standards.



Thinking of you
Electrolux

Electrical connections*					
Heating alternative	Main voltage		Heating power kW	Total power kW	Recommended ITCB A
		Hz			
Electric heated	208-240V 1 ~	60	5.4/7.5	5.5/7.6	15/20
	208-240V 1 ~	60	2.0/3.0	2.1/3.1	30/50
	208-240V 3 ~	60	5.4/7.5	5.5/7.6	20/25
	208-240V 3 ~	60	2.0/3.0	2.1/3.1	15
	440/480V 3 ~	60	7.5	7.6	15
Steam or Non heated	120-480V 1/3 ~	60	-	1.0	15



Water and steam connection		W575H
Water valves	DN/inch	20 / 3/4
Water pressure	psi	30-90
Capacity at 300 kPa	l/min	20
Drain valve	ø mm/inch	75 / 3
Draining capacity	l/min	170
Steam valve	DN/inch	15 / 1/2
Steam pressure	psi	40-90
Liquid detergent supplies		5
Floor requirements		
Frequency of the dynamic force	Hz	20.8
Floor load at max extraction	kN	1.9 ± 0.5
Sound levels		
Sound power level (IEC 60704-2-4)		
wash	dB(A)	60
extraction	dB(A)	75
Heat emission		
% of installed power, max		5
Shipping data		
Weight	net, kg/lbs crated, kg/lbs	159 / 350.5 179 / 394.6
Shipping volume	m ³ /ft ³	0.75 / 26.5
Accessories		
Steel base		x
Hose kits for water or steam		x
Fluff collector		x
Dimensions in mm/inch		
A Width		720 / 28 3/8
B Depth		690 / 27 3/16
C Height		1115 / 43 7/8
D		355 / 14
E		720 / 28 3/8
F		825 / 32 1/2
G		45 / 1 3/4
H		1010 / 39 3/4
I		220 / 8 11/16
J		135 / 5 5/16
K		910 / 35 13/16
L		830 / 32 11/16
M		360 / 14 3/16
N		100 / 3 15/16
O		240 / 9 7/16
1 Operating panel	6 Hard water	
2 Door opening ø 310 mm / 12 3/16 inch	7 Drain	
3 Detergent box	8 Liquid detergent supply	
4 Cold water	9 Electrical connection	
5 Hot water	10 Steam connection	

Front and side panels in light grey and blue (RAL 260 70 05, 250 60 30)

* Other voltages available, see installation manual

Art. No. 438919495KO/2013.05.17
We reserve the right to alter specifications without notice.

For Electrolux Professional Laundry Solutions in North America, please contact:

www.electroluxusa.com/laundrysystems

Share more of our thinking at www.electrolux.com

Laundrylux
461 Doughty Boulevard • Inwood, NY 11097-1384
(800) 381-7222 • info@laundrylux.com
www.laundrylux.com