

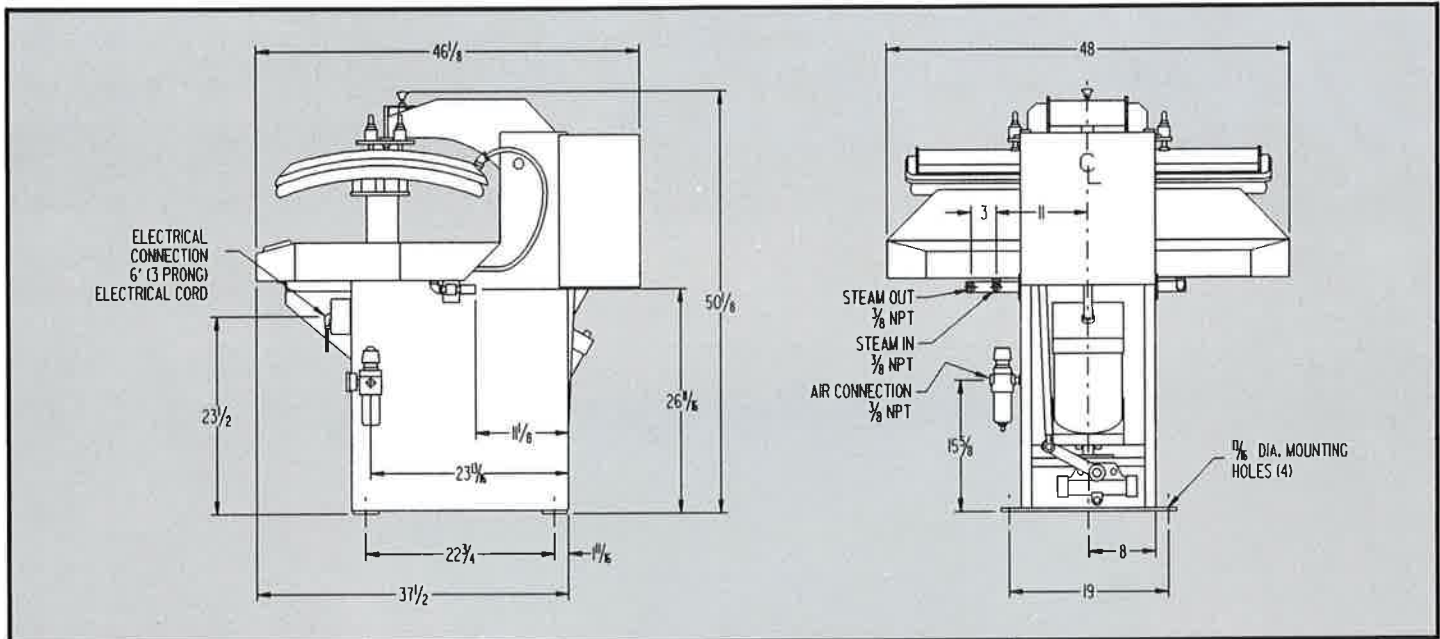
UNIPRESS

DLZ DOUBLE PANTS LEGGER

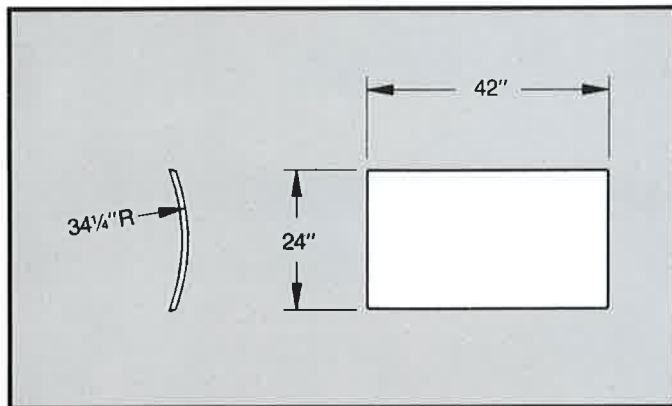


- *Highly Polished Plated Head*
- *Smooth Operation*
- *Microprocessor Controls with Self Diagnostics*
- *High Pressure Squeeze Cylinder*
- *Designed and Manufactured in USA*
- *Rugged Construction*
- *Two Hand Controls For Safety*

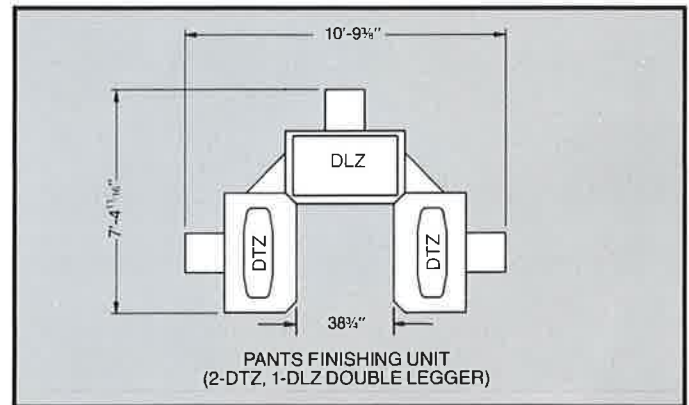
DLZ TECHNICAL DATA



BUCK DIMENSIONS



LAYOUT



SPECIFICATIONS

	DLZ
Overall Height	50 1/8"
Overall Length	46 1/8"
Overall Width	48"
Steam Inlet (1)	3/8" NPT
Steam Outlet (1)	3/8" NPT
Steam Supply	100-125 PSI
Boiler Horsepower Rating	3/4
Air Inlet	3/8" NPT
Air Consumption/Cycle	1 3/4 Cu. Ft.
Air Supply	85 PSI Min.
Electrical	115/1/60
Amperage	1/2 AMP
Net Weight	1,215 Lbs.

Model DLZ

Pants Legs
Pillow Cases
Handkerchiefs
Napkins
Small Flatwork



Unipress reserves the right to alter or vary the specifications contained in this leaflet without notice. Drawings not to scale.

UNIPRESS

3501 Queen Palm Drive Tampa, Florida 33619

Telephone (813) 623-3731 FAX (813) 626-2565

www.unipresscorp.com